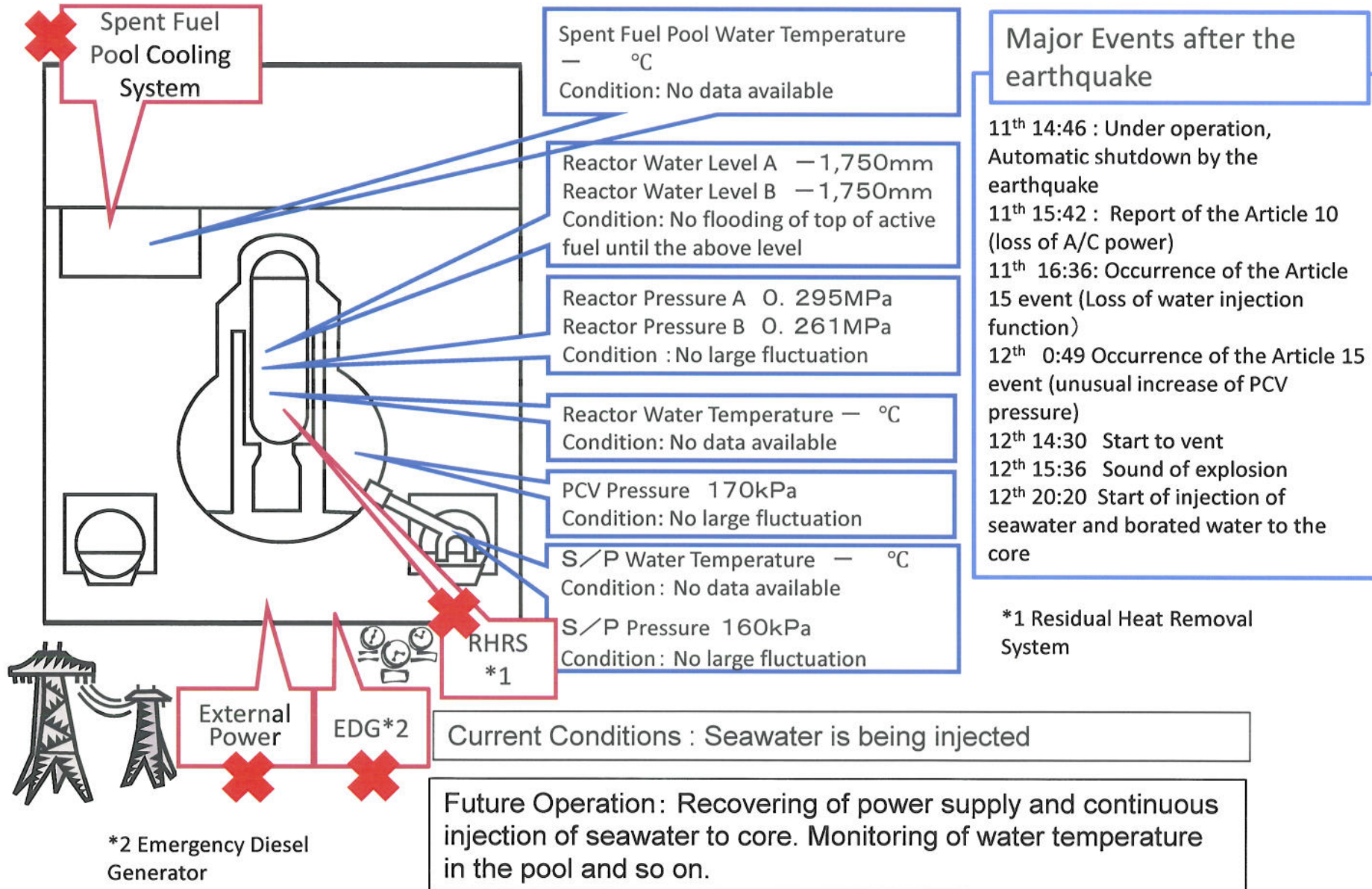
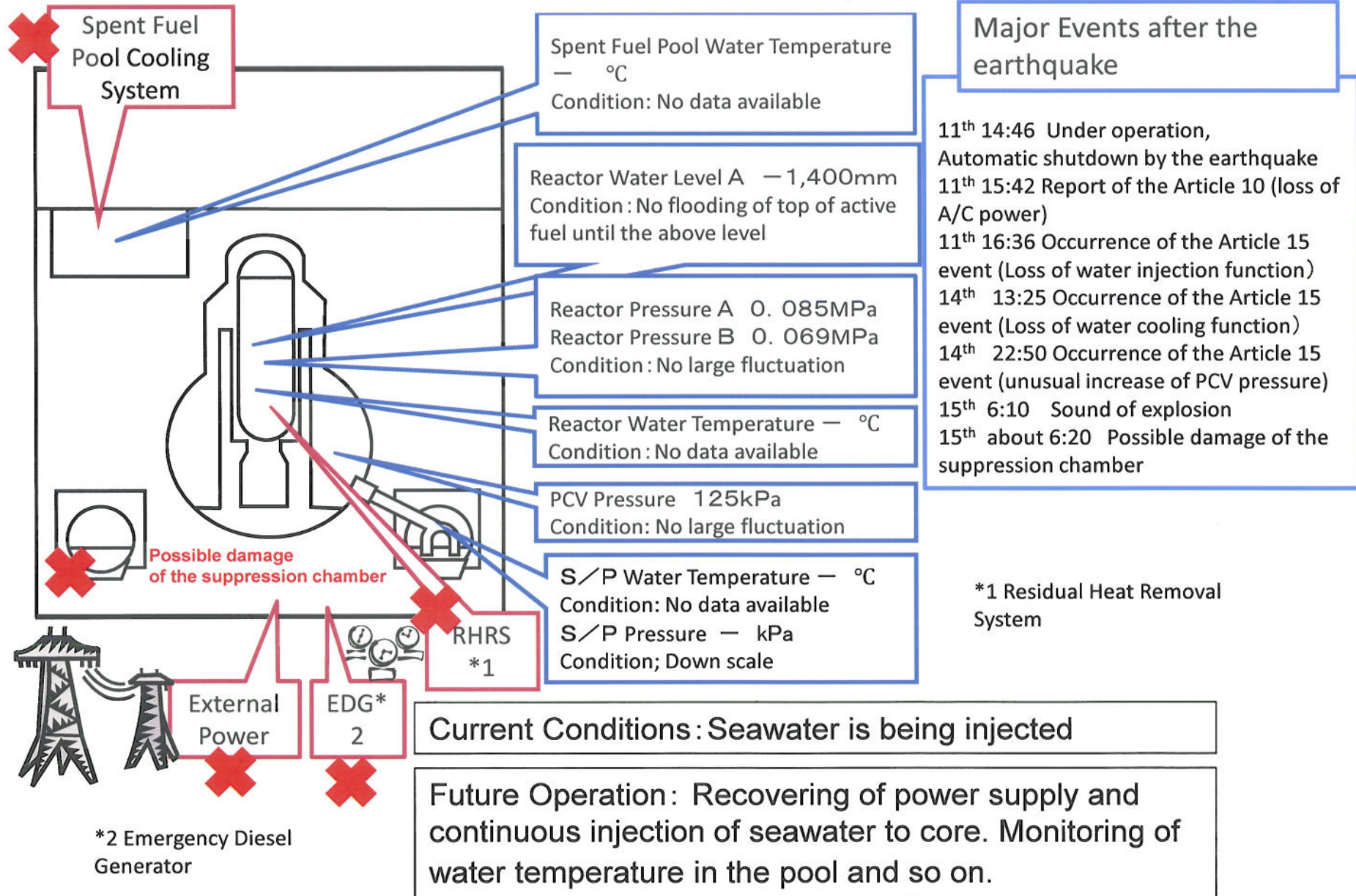


Conditions of Fukushima Dai-ichi Nuclear Power Stations **Unit 1** (As of 14:00 March 20th, 2011)



Conditions of Fukushima Dai-ichi Nuclear Power Stations **Unit 2** (As of 14:00 March 20th, 2011)



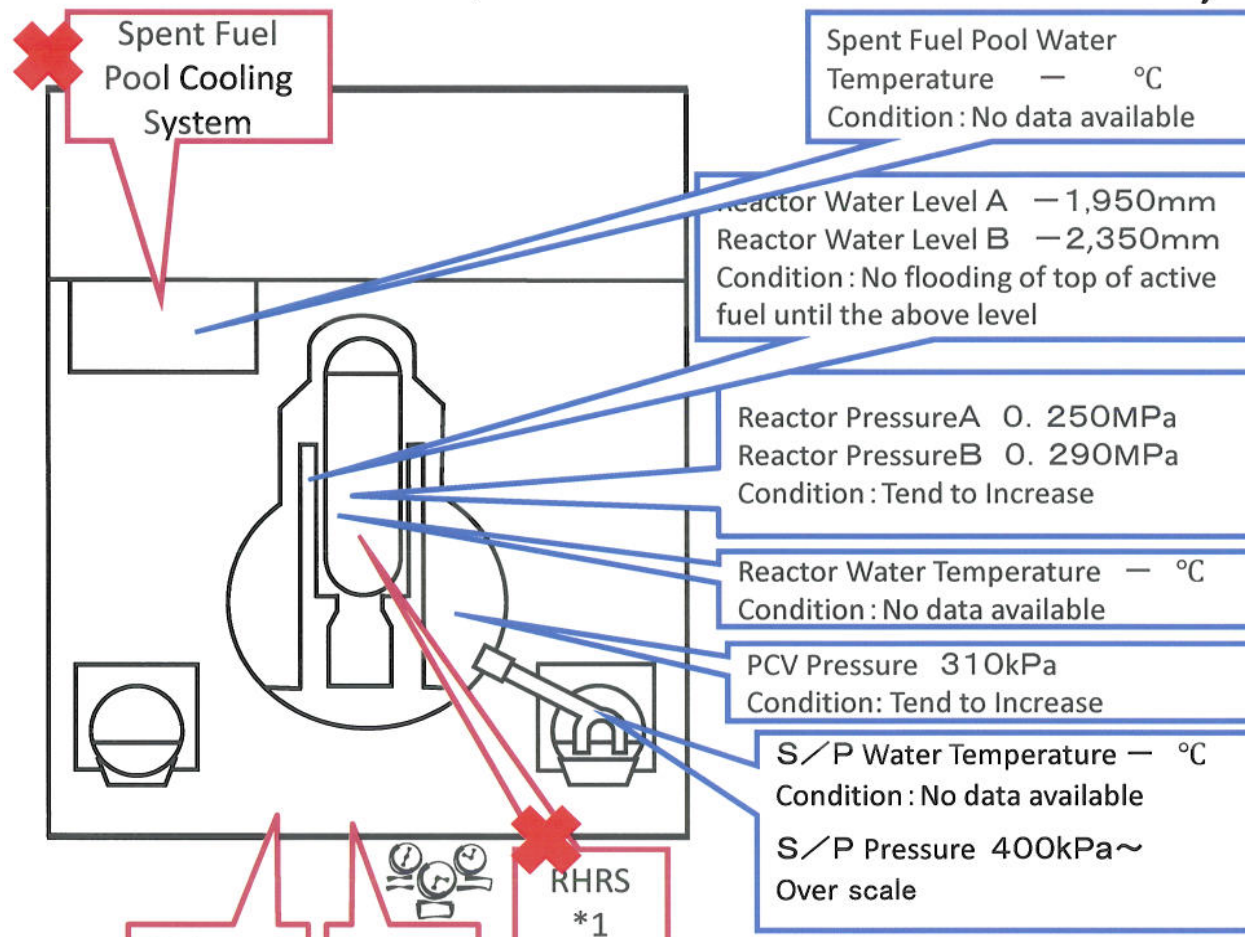
Conditions of Fukushima Dai-ichi Nuclear Power Stations **Unit 3**

(As of 14:00 March 20th, 2011)

Major Events after the earthquake

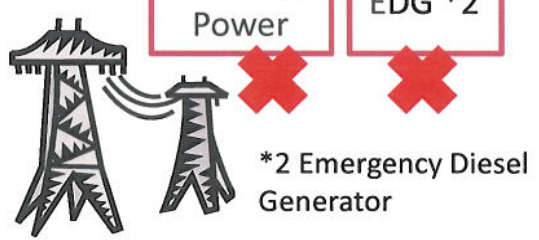
11th 14:46 Under operation, Automatic shutdown by the earthquake
 11th 15:42 Report of the Article 10 (loss of A/C power)
 13th 5:10 Occurrence of the Article 15 event (Loss of water injection function)
 13th 8:41 Start to bent
 14th 7:44 Occurrence of the Article 15 event (unusual increase of PCV pressure)
 11:01 Sound of explosion
 16th about 8:30 White smoke generated
 17th 9:48~10:01 Water discharge by the helicopters of Self-Defense Force (4 times)
 19:05~20:09 Water spray from the ground by High pressure water-cannon trucks (Police: once, Self-Defense Force: 5 times)
 18th before 14:00~14:38 Water spray from the ground by same trucks (Self-Defense Force: 6 times)
 ~14:45 Water spray from the ground by US water-cannon trucks (US armed forces: 1 time)
 19th 0:00 ~01:00 Water spray by Hyper Rescue Unit of Tokyo Fire Department.
 14:10 Start of the second water spray
 20th 03:40 Water spray is completed.

*1 Residual Heat Removal System



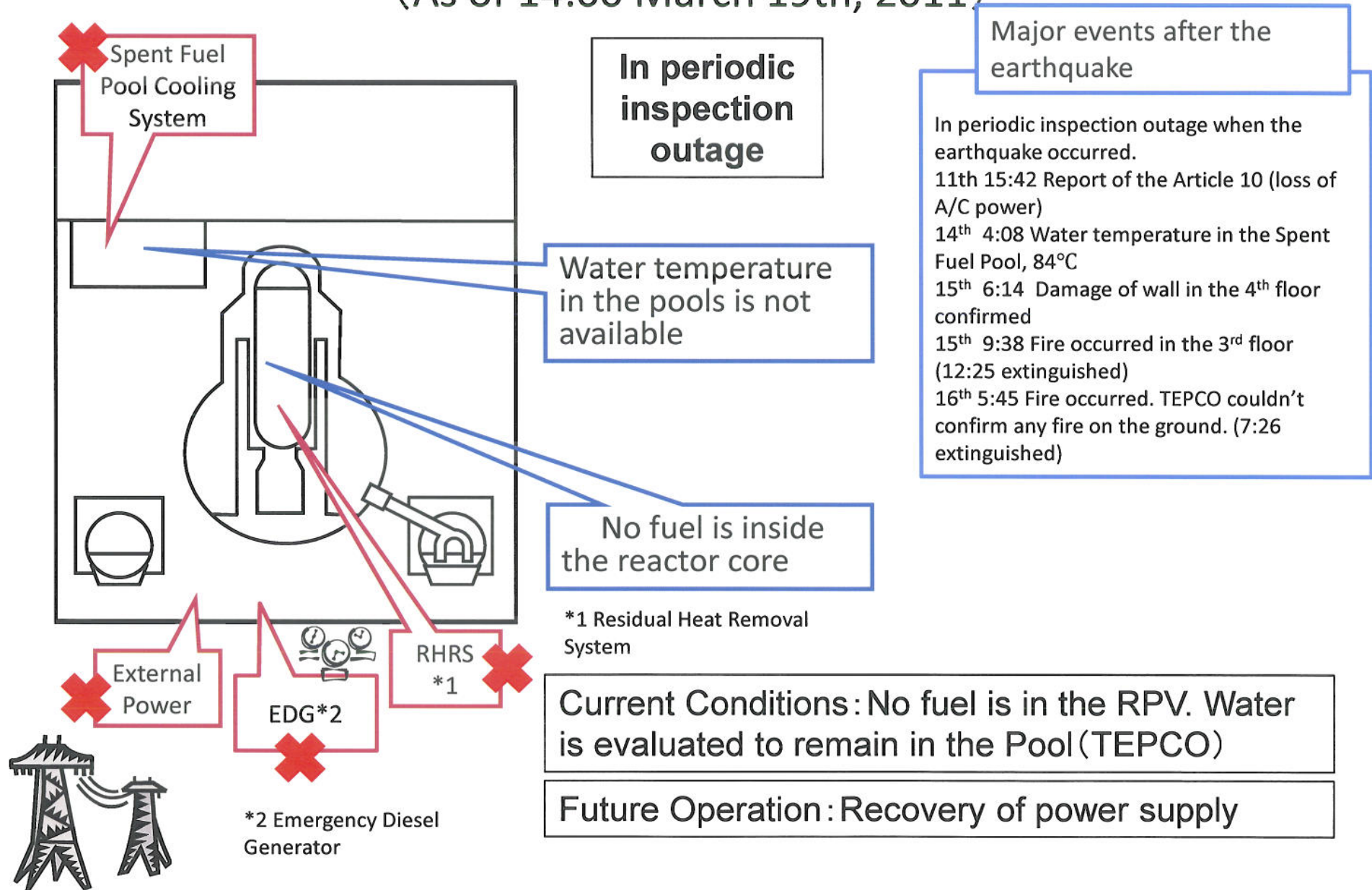
Current Conditions: Continuous operations for water spray to the pool and seawater injection to the Reactor Core

Future Operation: Recovering of power supply and continuous injection of seawater to core.



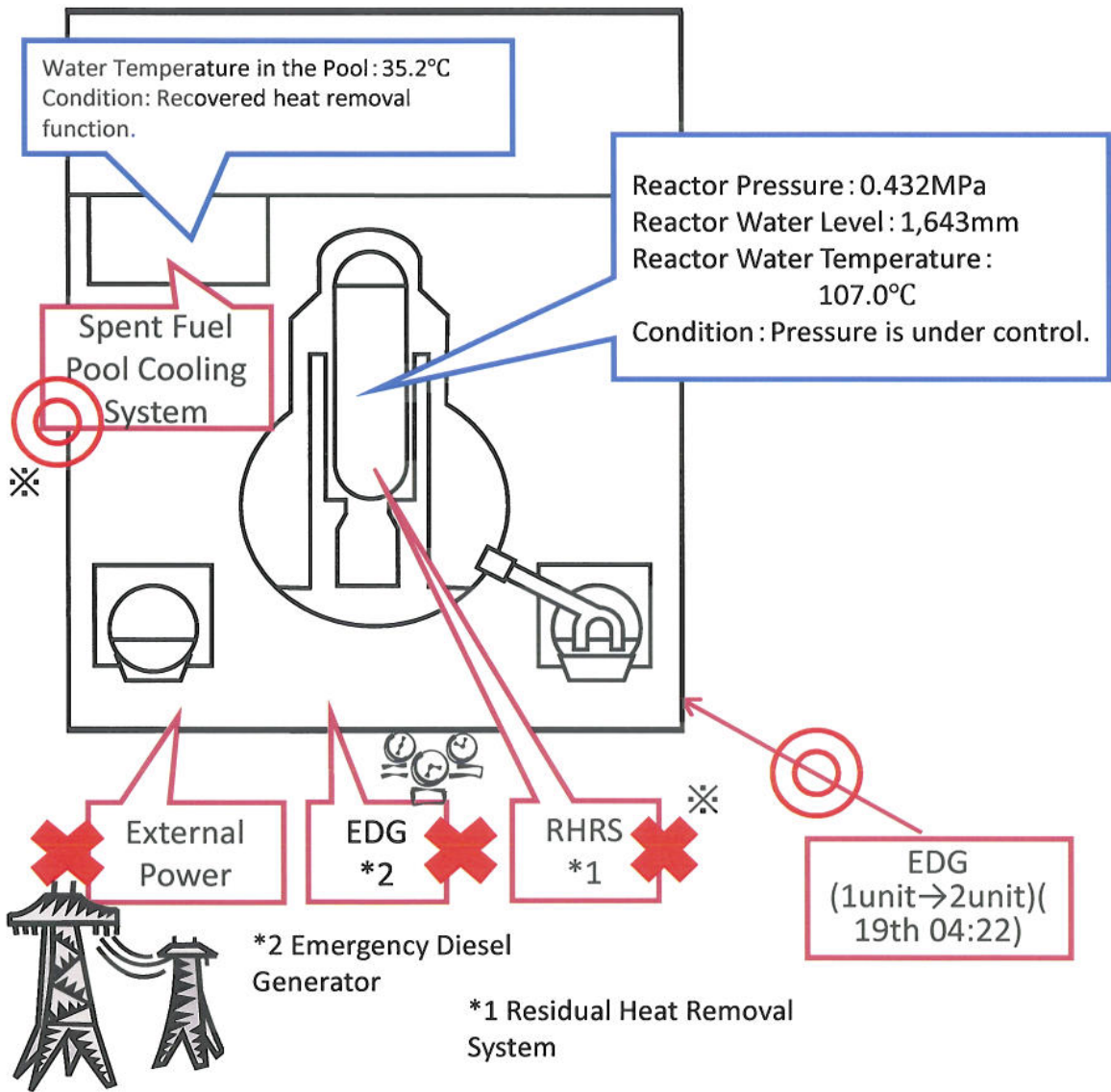
*2 Emergency Diesel Generator

Conditions of Fukushima Dai-ichi Nuclear Power Stations Unit 4 (As of 14:00 March 19th, 2011)



Conditions of Fukushima Dai-ichi Nuclear Power Stations **Unit 5** (As of 14:00 March 20th, 2011)

In periodic inspection outage



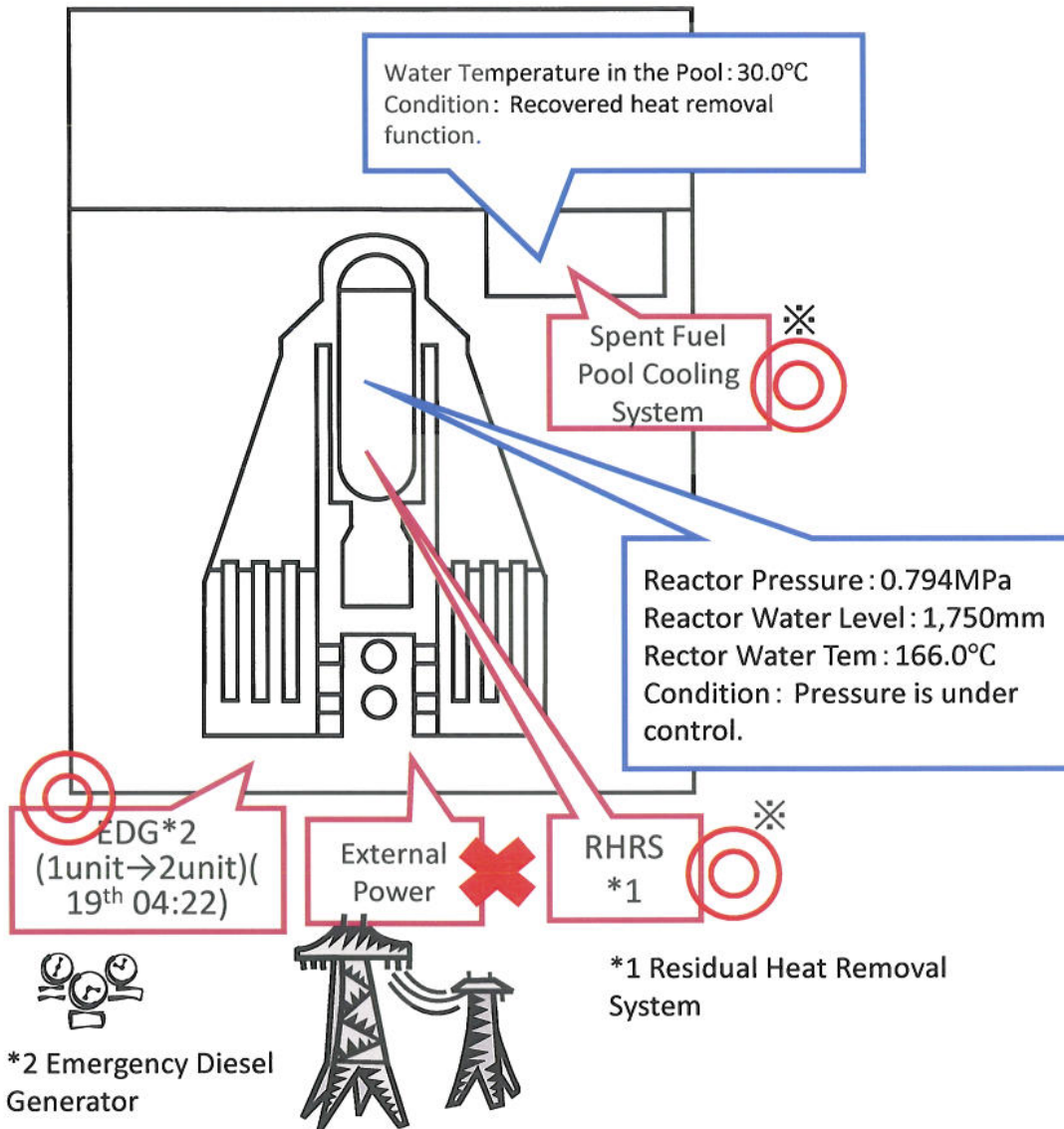
Current Conditions: Emergency Diesel Generator (19th 04:22 1 unit →2 unit) for Unit 6 is being operated. (supplying electricity to Units 5 and 6)
Pump for RHR(C) for Unit 5 started up and recovered heat removal function.
Cold shutdown. (14:30 March 20th)

Future Operation: Start operating for recovery of external power

※ It cools Spent Fuel Storage Pool with priority

Conditions of Fukushima Dai-ichi Nuclear Power Stations **Unit 6** (As of 14:00 March 20th, 2011)

In periodic inspection outage



Current Conditions : Emergency Diesel Generator (19th 04:22 1 unit →2 unit) for Unit 6 is being operated. (supplying electricity to Units 5 and 6)
Pump for RHR (B) for Unit 6 started up and recovered heat removal function for Spent Fuel Storage Pool .(22:14 March 19th)

Future Operation : Start operating for recovery of external power

⊗ It cools Spent Fuel Storage Pool with priority